

INNOVATIVE TORQUE TECHNOLOGY

HYDRAULIC TORQUE WRENCH SYSTEMS

TTZ™

FEATURES

- Multi-position hose couplers for no hose interference on all jobs
- Simple connect hex links for quick and easy hex size changes
- Efficient mechanical design for simple and inexpensive repairs of internals
- Highest quality internal metals for durability and long life
- Manufactured & Assembled in the U.S.A. highest level of material and quality control
- Slim design fits anywhere a square drive tool will not



Disclaimer: AMG Bolting Solutions is not a manufacturer of any brands represented with this catalog. We are strictly a distributor of the selected products.

LIMITED CLEARANCE TO FIT IN THE MOST CONFINED AREAS

Call 800-709-2930 for customized quote now!

For over 30 years...

With a background spanning well over 30 years our manufacturer as evolved to address the need for high quality equipment at an affordable price, these are the workhorses of the torque world. No frills, no fuss, just get the job done all day everyday.

- Accuracy
- Reliability
- Outstanding weight to torque ratio
- Lower cost and reduced maintenance
- Anti-lock tools with no need for an anti-jam mechanism
- Internal ratchet prevents significant roll back with each cycle which results in a faster tool

Warranty:

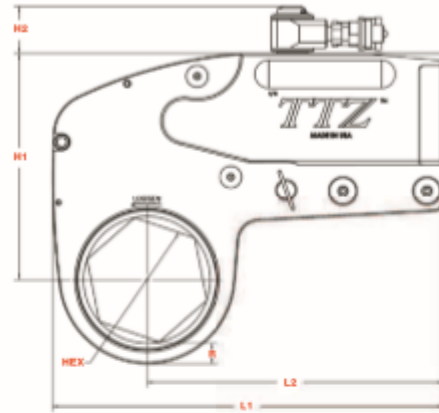
Our manufacturer's equipment is engineered to the latest technological standards and is backed by our exclusive 13-month warranty. In the event of a product failure, we will either fix or replace your unit. Free loaner tools will be provided in case of a product failure within the warranty period.

Calibration:

Each new tool comes with a certificate of calibration to ensure proper torque output according to factory certified torque output values. Utilizing one of the industries top calibration machines with state of the art torque transducers, we can help calibrate your existing hydraulic torque wrenches as well, regardless of the brand or make. The internal moving parts on any hydraulic torque wrench can cause friction which can lead to distortion and an incorrect torque value. Frequently calibrating your tools will provide the necessary service and ensure they are working correctly and efficiently.

If you have any questions, contact us at agross@amgboltingsolutions.com.





**SLIM-LINE CASSETTE TOOL
TO ASSURE INTERFERENCE-FREE FIT**

The TTZ Hex Limited-Clearance Hydraulic Torque Wrench Tool is distributed by AMG Bolting Solutions. This high-quality tool help industrial maintenance and construction personnel loosen and tighten bolts faster and safer.

TTZ MODEL - HYDRAULIC TORQUE WRENCH SYSTEMS

MODEL	HEX	TORQUE	RADIUS (R)	OVERALL LENGTH (L1)	LINK HEIGHT (H1)	SWIVEL HEIGHT (H2)	TOOL WIDTH (W1)	LINK WIDTH (W2)
TTZ- 2	1" - 2-3/8" 24-60mm	269- 1,875 ft. lbs.	0.38" 97mm	6.97" 177.0mm	3.73" 94.7mm	1.09" 27.7mm	1.25" 31.8mm	1.13" 28.7mm
TTZ-4	1-7/16" - 3-1/8" 36-80mm	655- 4,538 ft. lbs.	0.51" 12.9mm	9.20" 233.7mm	5.51" 140.0mm	1.68" 42.7mm	1.67" 42.4mm	1.50" 38.1mm
TTZ-8	2" - 3-7/8" 50-100mm	1,202 -8,308 ft. lbs.	0.72" 18.3mm	11.62" 295.1mm	6.53" 165.9mm	1.68" 42.7mm	2.10" 53.3mm	1.89" 48.0mm
TTZ-14	2-3/4" - 4-5/8" 70-120mm	2,062- 14,576 ft. lbs.	0.73" 18.5mm	13.88" 352.6mm	8.04" 204.2mm	1.68" 42.7mm	2.50" 63.5mm	2.36" 59.9mm

All tools and pumps are subject to a 13 months free repair/replacement guaranty on failure. Data subject to change without notice. *Max. Torque Range.

Call 800-709-2930 for customized quote now!

PRODUCT NUMBER	NAME	DESCRIPTION	RETAIL PRICE/UN
TTZ-4-Motor	TTZ4 -Limited Clearance Wrench		\$1,320.00
TTZ-8-Motor	TTZ8-Limited Clearance Wrench		\$1,975.00
TTZ-14-Motor	TTZ14 -Limited Clearance Wrench		\$2,475.00
TTZ-20-Motor	TTZ20 -Limited Clearance Wrench		\$3,970.00
TTZ-2-AMG	TTZ2 -Limited Clearance Wrench		\$2,460.00
TTZ-4-AMG	TTZ4 -Limited Clearance Wrench		\$2,955.00
TTZ-8-AMG	TTZ8-Limited Clearance Wrench		\$3,970.00
TTZ-14-AMG	TTZ14 -Limited Clearance Wrench		\$5,100.00
TTZ-20-AMG	TTZ20 -Limited Clearance Wrench		\$8,465.00
TTZ-2-Hex	TTZ2 -Limited Clearance Wrench		\$1,260.00
TTZ-4-Hex	TTZ4 -Limited Clearance Wrench		\$1,635.00
TTZ-8-Hex	TTZ8-Limited Clearance Wrench		\$1,995.00
TTZ-14-Hex	TTZ14 -Limited Clearance Wrench		\$2,625.00
TTZ-20-Hex	TTZ20 -Limited Clearance Wrench		\$4,495.00



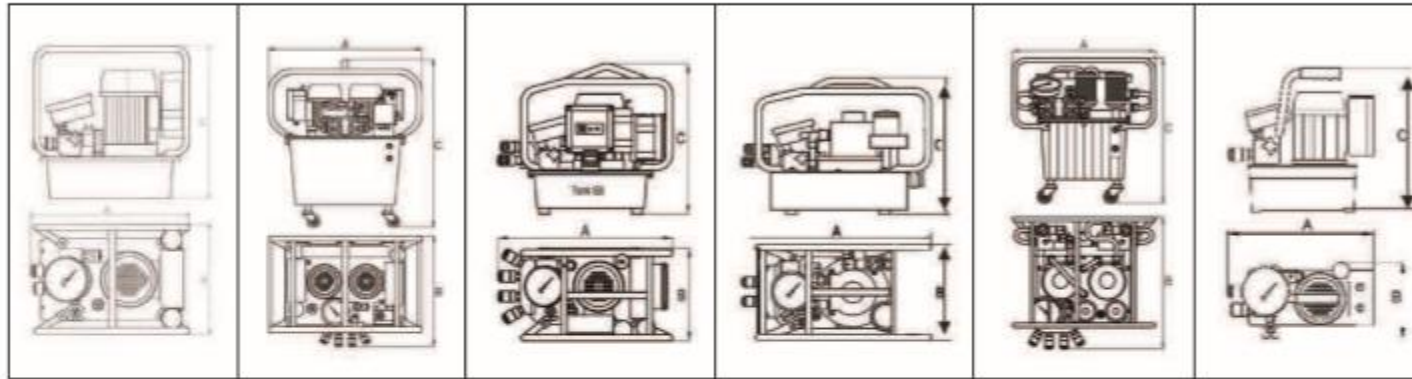
Fun Fact:

On the jobsite, the TTZ is often referred to as a “pancake”.



Call 800-709-2930 for customized quote now!

MORE POWER TO YOU
A POWER-PACK FOR ALL SITUATIONS



MODEL (Trademarked)	HIGHFLOW 115/230	TWIN HIGHFLOW 115/230	HIGHFLOW with Oil Cooler	HIGHFLOW AIR	TWIN HIGHFLOW AIR	DYNAMIC 115/230
Max. Pressure	10,000 psi/700 bar	10,000 psi/ 700 bar	10,000 psi/ 700 bar	10,000 psi/700 bar	10,000 psi/700 bar	10,000 psi/700 bar
Max. Flow at 60Hz	620 cu. in.	1200 cu. in	620 cu. in			250 cu. in.
Max. Flow at 50Hz	510 cu. in.	1000 cu. in	510 cu. in.			200 cu. in.
Max. Flow				770 cu. in.	1500 cu. in	
Weight without oil	44 lbs., 20 kg	130 lbs., 60 kg	57 lbs., 26 kg	46 lbs., 21 kg	98 lbs., 44 kg	33 lbs., 14.9 kg
Dimensions: A/B/C	15.5/9.9/4.8", 395/250/375mm	19/15/23", 490/375/590mm	18.8/9.8/16.1", 480/250/410mm	20/11/16", 520/275/395mm	20/16/17", 510/400/440mm	14/6/13", 360/170/340mm

All tools and pumps are subject to a 13 months free repair/replacement guaranty on failure. Data subject to change without notice.
 Recommended Oil: TORC LLC Azolla ZS 46 Hydraulic Oil

POWER PACKS - HIGHFLOW™, HIGHFLOW™ AIR, DYNAMIC

Call 800-709-2930 for customized quote now!



FREE ON-SITE DEMOS & TRAINING

Contact Alan Gross

(800) 709-2930

agross@amgboltingsolutions.com

amgboltingsolutions.com

POWER GENERATION, PETRO-CHEMICAL, PIPELINE, MINING, WIND, RAILWAY & MILITARY, SHIPBUILDING, HEAVY EQUIPMENT, NUCLEAR

