

INNOVATIVE TORQUE TECHNOLOGY

HYDRAULIC TORQUE WRENCH SYSTEMS

TTX™

FEATURES

- 180/360 degree multi-position hose couplers for no hose interference on all jobs
- Push through square drive for fast switching from tightening & loosening
- Efficient mechanical design with 3 moving parts for simple and inexpensive repairs of internals
- Highest quality aluminum and steel alloys for durability and longevity
- Manufactured & Assembled in the U.S.A. highest level of material and quality control



MADE IN THE USA

All tools and pumps are subject to a 13 months free repair/replacement guaranty on failure. Data subject to change without notice. *Max. Torque Range.

EFFICIENCY IN INDUSTRIAL MAINTENANCE

Call 800-709-2930 for customized quote now!

For over 30 years...

With a background spanning well over 30 years our manufacturer as evolved to address the need for high quality equipment at an affordable price, these are the workhorses of the torque world. No frills, no fuss, just get the job done all day everyday.

- Accuracy
- Reliability
- Outstanding weight to torque ratio
- Lower cost and reduced maintenance
- Anti-lock tools with no need for an anti-jam mechanism
- Internal ratchet prevents significant roll back with each cycle which results in a faster tool

Warranty:

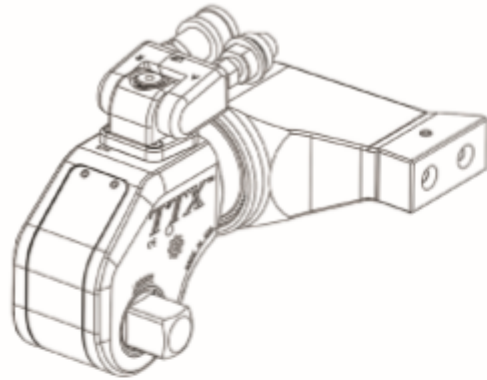
Our manufacturer's equipment is engineered to the latest technological standards and is backed by our exclusive 13-month warranty. In the event of a product failure, we will either fix or replace your unit. Free loaner tools will be provided in case of a product failure within the warranty period.

Calibration:

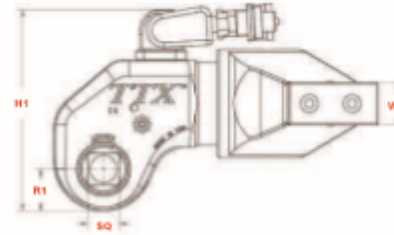
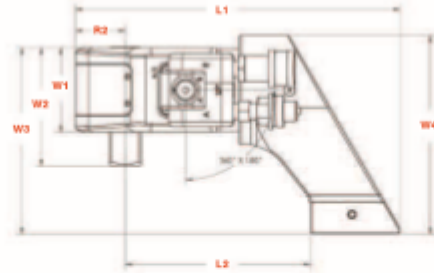
Each new tool comes with a certificate of calibration to ensure proper torque output according to factory certified torque output values. Utilizing one of the industries top calibration machines with state of the art torque transducers, we can help calibrate your existing hydraulic torque wrenches as well, regardless of the brand or make. The internal moving parts on any hydraulic torque wrench can cause friction which can lead to distortion and an incorrect torque value. Frequently calibrating your tools will provide the necessary service and ensure they are working correctly and efficiently.

If you have any questions, contact us at agross@amgboltingsolutions.com.





**CHARACTERIZED BY A DESIGN TECHNOLOGY
WITH YOUR APPLICATIONS IN MIND**



TTX MODEL - HYDRAULIC TORQUE WRENCH SYSTEMS

| MODEL | SQ | TORQUE | R1 | R2 | L1 | L2 | H1 | W1 | W2 | W3 | W4 | W5 |
|---------------|--------|-----------------------|-----------------|-----------------|-------------------|-------------------|-------------------|------------------|-------------------|-------------------|-------------------|-----------------|
| TTX-1 | 3/4" | 168-1,235 ft. lbs | .99" 25.1mm | 1.17" 29.7mm | 7.74" 196.6mm | 4.46" 113.3mm | 4.92" 124.9mm | 1.97" 50.0mm | 2.75" 69.7mm | 4.36" 110.7mm | 4.65" 118.1mm | 1.00" 25.4mm |
| TTX-3 | 1" | 446- 3,100 ft. lbs | 1.31" 33.3mm | 1.56" 39.6mm | 10.15" 257.8mm | 5.79" 147.1mm | 6.39" 162.3mm | 2.63" 66.8mm | 3.69" 93.7mm | 5.82" 147.8mm | 6.20" 157.5mm | 1.34" 34.0mm |
| TTX-5 | 1-1/2" | 880- 6,130 ft. lbs | 1.57" 39.8mm | 1.81" 46.1mm | 11.88" 301.7mm | 6.73" 170.8mm | 7.62" 193.5mm | 3.16" 193.5mm | 4.94" 125.5 mm | 6.98" 177.3 mm | 7.47" 189.6mm | 1.61" 40.8mm |
| TTX-7 | 1-1/2" | 1,187-8,437 ft.lbs. | 1.85" 47.0mm | 2.12" 53.8mm | 13.49" 342.6mm | 7.56" 192.0mm | 8.51" 216.2mm | 3.57" 90.7mm | 5.07" 128.9mm | 7.86" 199.6mm | 8.38" 212.9mm | 1.81" 46.0mm |
| TTX-11 | 1-1/2" | 1,516-10,945 ft. lbs | 1.97" 50.0mm | 2.35" 59.7mm | 15.01" 381.3mm | 8.51" 216.5mm | 9.08" 230.6mm | 3.95" 100.3mm | 5.50" 139.7mm | 8.72" 221.5mm | 9.30" 236.2mm | 2.00" 50.8mm |
| TTX-21 | 2-1/2" | 2,716 -19,116 ft. lbs | 2.29" 58.2mm | 2.72" 69.1mm | 18.31" 465.1mm | 10.51" 266.9mm | 10.46" 265.7mm | 4.73" 120.1mm | 7.13" 181.1mm | 10.46" 265.7mm | 11.10" 281.9mm | 2.39" 60.8mm |

All toolacs and pumps are subject to a 13 months free repair/replacement guaranty on failure. Data subject to change without notice. *Max. Torque Range.

Visit www.amgboltingsolutions.com for current pricing.

Call 800-709-2930 for customized quote now!

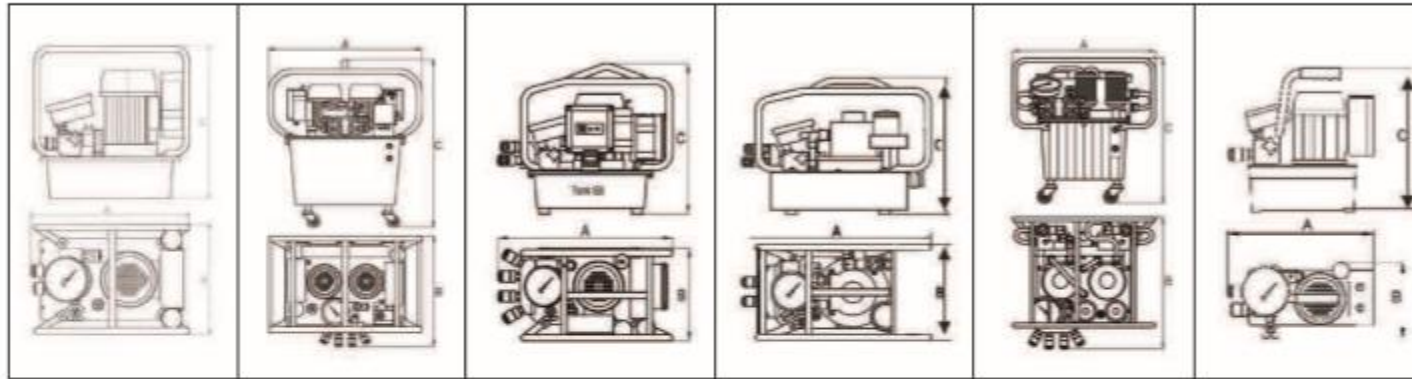


TTX Square Drive Series - Hydraulic Torque Wrench

| | | | |
|-------------------|--------------------------------|---|--------------------|
| TTX-1-AMG | TTX1-Square Drive Torque Tool | 3/4" Drive Hydraulic Torque Wrench : 168-1235 Ft.Lbs. | \$2,950.00 |
| TTX-3-AMG | TTX3-Square Drive Torque Tool | 1" Drive Hydraulic Torque Wrench : 446-3100 Ft.Lbs. | \$3,495.00 |
| TTX-5-AMG | TTX5-Square Drive Torque Tool | 1 1/2" Drive Hydraulic Torque Wrench : 880-6130 Ft.Lbs. | \$4,590.00 |
| TTX-7-AMG | TTX7-Square Drive Torque Tool | 1 1/2" Drive Hydraulic Torque Wrench : 1187-8437 Ft.Lbs. | \$4,975.00 |
| TTX-11-AMG | TTX11-Square Drive Torque Tool | 1 1/2" Drive Hydraulic Torque Wrench : 1516-10945 Ft.Lbs. | \$6,575.00 |
| TTX-21-AMG | TTX21-Square Drive Torque Tool | 2 1/2" Drive Hydraulic Torque Wrench : 2716-19116 Ft.Lbs. | \$12,580.00 |

Call 800-709-2930 for customized quote now!

MORE POWER TO YOU
A POWER-PACK FOR ALL SITUATIONS



POWER PACKS - HIGHFLOW™, HIGHFLOW™ AIR, DYNAMIC

| MODEL (Trademarked) | HIGHFLOW 115/230 | TWIN HIGHFLOW 115/230 | HIGHFLOW with Oil Cooler | HIGHFLOW AIR | TWIN HIGHFLOW AIR | DYNAMIC 115/230 |
|---------------------|---------------------------------|-----------------------------|----------------------------------|-----------------------------|-----------------------------|----------------------------|
| Max. Pressure | 10,000 psi/700 bar | 10,000 psi/ 700 bar | 10,000 psi/ 700 bar | 10,000 psi/700 bar | 10,000 psi/700 bar | 10,000 psi/700 bar |
| Max. Flow at 60Hz | 620 cu. in. | 1200 cu. in | 620 cu. in | | | 250 cu. in. |
| Max. Flow at 50Hz | 510 cu. in. | 1000 cu. in | 510 cu. in. | | | 200 cu. in. |
| Max. Flow | | | | 770 cu. in. | 1500 cu. in | |
| Weight without oil | 44 lbs., 20 kg | 130 lbs., 60 kg | 57 lbs., 26 kg | 46 lbs., 21 kg | 98 lbs., 44 kg | 33 lbs., 14.9 kg |
| Dimensions: A/B/C | 15.5/9.9/4.8", 395/250/375mm | 19/15/23", 490/375/590mm | 18.8/9.8/16.1", 480/250/410mm | 20/11/16", 520/275/395mm | 20/16/17", 510/400/440mm | 14/6/13", 360/170/340mm |

All tools and pumps are subject to a 13 months free repair/replacement guaranty on failure. Data subject to change without notice.
 Recommended Oil: TORC LLC Azolla ZS 46 Hydraulic Oil

Call 800-709-2930 for customized quote now!



FREE ON-SITE DEMOS & TRAINING

Contact Alan Gross

(800) 709-2930

agross@amgboltingsolutions.com

amgboltingsolutions.com

POWER GENERATION, PETRO-CHEMICAL, PIPELINE, MINING, WIND, RAILWAY & MILITARY, SHIPBUILDING, HEAVY EQUIPMENT, NUCLEAR

